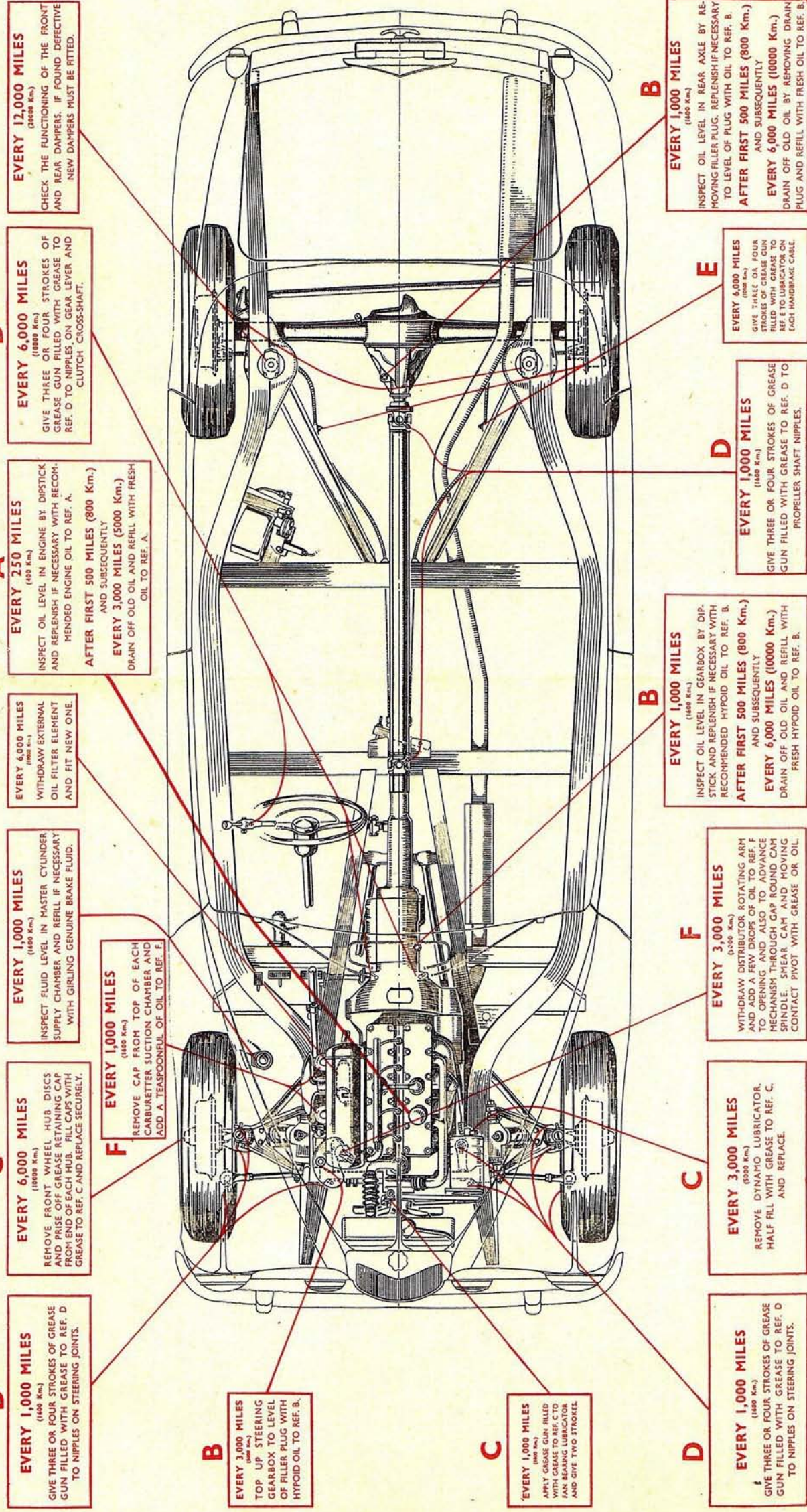


# THE RILEY PATHFINDER LUBRICATION CHART

Note: This is the Lubrication Sheet from  
Early Editions of the Workshop Manual



**D**  
**EVERY 1,000 MILES**  
(1600 Km.)  
GIVE THREE OR FOUR STROKES OF GREASE GUN FILLED WITH GREASE TO REF. D TO NIPPLES ON STEERING JOINTS.

**C**  
**EVERY 6,000 MILES**  
(10000 Km.)  
REMOVE FRONT WHEEL HUB DISCS AND PRIZE OFF GREASE RETAINING CAP FROM END OF EACH HUB. FILL CAPS WITH GREASE TO REF. C AND REPLACE SECURELY.

**EVERY 1,000 MILES**  
(1600 Km.)  
INSPECT FLUID LEVEL IN MASTER CYLINDER SUPPLY CHAMBER AND REFILL IF NECESSARY WITH GIRLING GENUINE BRAKE FLUID.

**EVERY 6,000 MILES**  
(10000 Km.)  
WITHDRAW EXTERNAL OIL FILTER ELEMENT AND FIT NEW ONE.

**A**  
**EVERY 250 MILES**  
(400 Km.)  
INSPECT OIL LEVEL IN ENGINE BY DIPSTICK AND REPLENISH IF NECESSARY WITH RECOMMENDED ENGINE OIL TO REF. A.  
**AFTER FIRST 500 MILES (800 Km.) AND SUBSEQUENTLY EVERY 3,000 MILES (5000 Km.) DRAIN OFF OLD OIL AND REFILL WITH FRESH OIL TO REF. A.**

**D**  
**EVERY 6,000 MILES**  
(10000 Km.)  
GIVE THREE OR FOUR STROKES OF GREASE GUN FILLED WITH GREASE TO REF. D TO NIPPLES ON GEAR LEVER AND CLUTCH CROSS-SHAFT.

**B**  
**EVERY 3,000 MILES**  
(5000 Km.)  
TOP UP STEERING GEARBOX TO LEVEL OF FILLER PLUG WITH HYPOID OIL TO REF. B.

**F**  
**EVERY 1,000 MILES**  
(1600 Km.)  
REMOVE CAP FROM TOP OF EACH CARBURETTOR SUCTION CHAMBER AND ADD A TEASPOONFUL OF OIL TO REF. F.

**EVERY 1,000 MILES**  
(1600 Km.)  
INSPECT OIL LEVEL IN REAR AXLE BY REMOVING FILLER PLUG. REPLENISH IF NECESSARY TO LEVEL OF PLUG WITH OIL TO REF. B.  
**AFTER FIRST 500 MILES (800 Km.) AND SUBSEQUENTLY EVERY 6,000 MILES (10000 Km.) DRAIN OFF OLD OIL BY REMOVING DRAIN PLUG AND REFILL WITH FRESH OIL TO REF. B.**

**E**  
**EVERY 6,000 MILES**  
(10000 Km.)  
GIVE THREE OR FOUR STROKES OF GREASE GUN FILLED WITH GREASE TO REF. E TO LUBRICATE EACH HANDBRAKE CABLE.

**D**  
**EVERY 1,000 MILES**  
(1600 Km.)  
GIVE THREE OR FOUR STROKES OF GREASE GUN FILLED WITH GREASE TO REF. D TO PROPELLER SHAFT NIPPLES.

**C**  
**EVERY 3,000 MILES**  
(5000 Km.)  
REMOVE DYNAMO LUBRICATOR. HALF FILL WITH GREASE TO REF. C. AND REPLACE.

**C**  
**EVERY 1,000 MILES**  
(1600 Km.)  
APPLY GREASE GUN FILLED WITH GREASE TO REF. C TO FAN BEARING LUBRICATOR AND GIVE TWO STROKES.

**D**  
**EVERY 1,000 MILES**  
(1600 Km.)  
GIVE THREE OR FOUR STROKES OF GREASE GUN FILLED WITH GREASE TO REF. D TO NIPPLES ON STEERING JOINTS.

**C**  
**EVERY 3,000 MILES**  
(5000 Km.)  
REMOVE DYNAMO LUBRICATOR. HALF FILL WITH GREASE TO REF. C. AND REPLACE.

**F**  
**EVERY 1,000 MILES**  
(1600 Km.)  
WITHDRAW DISTRIBUTOR ROTATING ARM AND ADD A FEW DROPS OF OIL TO REF. F TO OPENING AND ALSO TO ADVANCE MECHANISM THROUGH GAP ROUND CAM SPINDLE. SHEAR CAM AND MOVING CONTACT PIVOT WITH GREASE OR OIL.

**B**  
**EVERY 1,000 MILES**  
(1600 Km.)  
INSPECT OIL LEVEL IN GEARBOX BY DIPSTICK AND REPLENISH IF NECESSARY WITH RECOMMENDED HYPOID OIL TO REF. B.  
**AFTER FIRST 500 MILES (800 Km.) AND SUBSEQUENTLY EVERY 6,000 MILES (10000 Km.) DRAIN OFF OLD OIL AND REFILL WITH FRESH HYPOID OIL TO REF. B.**

**D**  
**EVERY 1,000 MILES**  
(1600 Km.)  
GIVE THREE OR FOUR STROKES OF GREASE TO REF. D TO PROPELLER SHAFT NIPPLES.

**E**  
**EVERY 6,000 MILES**  
(10000 Km.)  
GIVE THREE OR FOUR STROKES OF GREASE GUN FILLED WITH GREASE TO REF. E TO LUBRICATE EACH HANDBRAKE CABLE.

**D**  
**EVERY 1,000 MILES**  
(1600 Km.)  
GIVE THREE OR FOUR STROKES OF GREASE GUN FILLED WITH GREASE TO REF. D TO NIPPLES ON STEERING JOINTS.

**C**  
**EVERY 3,000 MILES**  
(5000 Km.)  
REMOVE DYNAMO LUBRICATOR. HALF FILL WITH GREASE TO REF. C. AND REPLACE.

**F**  
**EVERY 1,000 MILES**  
(1600 Km.)  
WITHDRAW DISTRIBUTOR ROTATING ARM AND ADD A FEW DROPS OF OIL TO REF. F TO OPENING AND ALSO TO ADVANCE MECHANISM THROUGH GAP ROUND CAM SPINDLE. SHEAR CAM AND MOVING CONTACT PIVOT WITH GREASE OR OIL.

**B**  
**EVERY 1,000 MILES**  
(1600 Km.)  
INSPECT OIL LEVEL IN GEARBOX BY DIPSTICK AND REPLENISH IF NECESSARY WITH RECOMMENDED HYPOID OIL TO REF. B.  
**AFTER FIRST 500 MILES (800 Km.) AND SUBSEQUENTLY EVERY 6,000 MILES (10000 Km.) DRAIN OFF OLD OIL AND REFILL WITH FRESH HYPOID OIL TO REF. B.**

**D**  
**EVERY 1,000 MILES**  
(1600 Km.)  
GIVE THREE OR FOUR STROKES OF GREASE TO REF. D TO PROPELLER SHAFT NIPPLES.

**E**  
**EVERY 6,000 MILES**  
(10000 Km.)  
GIVE THREE OR FOUR STROKES OF GREASE GUN FILLED WITH GREASE TO REF. E TO LUBRICATE EACH HANDBRAKE CABLE.

**D**  
**EVERY 1,000 MILES**  
(1600 Km.)  
GIVE THREE OR FOUR STROKES OF GREASE GUN FILLED WITH GREASE TO REF. D TO NIPPLES ON STEERING JOINTS.

**C**  
**EVERY 3,000 MILES**  
(5000 Km.)  
REMOVE DYNAMO LUBRICATOR. HALF FILL WITH GREASE TO REF. C. AND REPLACE.

**F**  
**EVERY 1,000 MILES**  
(1600 Km.)  
WITHDRAW DISTRIBUTOR ROTATING ARM AND ADD A FEW DROPS OF OIL TO REF. F TO OPENING AND ALSO TO ADVANCE MECHANISM THROUGH GAP ROUND CAM SPINDLE. SHEAR CAM AND MOVING CONTACT PIVOT WITH GREASE OR OIL.

**B**  
**EVERY 1,000 MILES**  
(1600 Km.)  
INSPECT OIL LEVEL IN GEARBOX BY DIPSTICK AND REPLENISH IF NECESSARY WITH RECOMMENDED HYPOID OIL TO REF. B.  
**AFTER FIRST 500 MILES (800 Km.) AND SUBSEQUENTLY EVERY 6,000 MILES (10000 Km.) DRAIN OFF OLD OIL AND REFILL WITH FRESH HYPOID OIL TO REF. B.**

**D**  
**EVERY 1,000 MILES**  
(1600 Km.)  
GIVE THREE OR FOUR STROKES OF GREASE TO REF. D TO PROPELLER SHAFT NIPPLES.

**E**  
**EVERY 6,000 MILES**  
(10000 Km.)  
GIVE THREE OR FOUR STROKES OF GREASE GUN FILLED WITH GREASE TO REF. E TO LUBRICATE EACH HANDBRAKE CABLE.

**D**  
**EVERY 1,000 MILES**  
(1600 Km.)  
GIVE THREE OR FOUR STROKES OF GREASE GUN FILLED WITH GREASE TO REF. D TO NIPPLES ON STEERING JOINTS.

**C**  
**EVERY 3,000 MILES**  
(5000 Km.)  
REMOVE DYNAMO LUBRICATOR. HALF FILL WITH GREASE TO REF. C. AND REPLACE.

**F**  
**EVERY 1,000 MILES**  
(1600 Km.)  
WITHDRAW DISTRIBUTOR ROTATING ARM AND ADD A FEW DROPS OF OIL TO REF. F TO OPENING AND ALSO TO ADVANCE MECHANISM THROUGH GAP ROUND CAM SPINDLE. SHEAR CAM AND MOVING CONTACT PIVOT WITH GREASE OR OIL.

**B**  
**EVERY 1,000 MILES**  
(1600 Km.)  
INSPECT OIL LEVEL IN GEARBOX BY DIPSTICK AND REPLENISH IF NECESSARY WITH RECOMMENDED HYPOID OIL TO REF. B.  
**AFTER FIRST 500 MILES (800 Km.) AND SUBSEQUENTLY EVERY 6,000 MILES (10000 Km.) DRAIN OFF OLD OIL AND REFILL WITH FRESH HYPOID OIL TO REF. B.**

**D**  
**EVERY 1,000 MILES**  
(1600 Km.)  
GIVE THREE OR FOUR STROKES OF GREASE TO REF. D TO PROPELLER SHAFT NIPPLES.

**E**  
**EVERY 6,000 MILES**  
(10000 Km.)  
GIVE THREE OR FOUR STROKES OF GREASE GUN FILLED WITH GREASE TO REF. E TO LUBRICATE EACH HANDBRAKE CABLE.

**D**  
**EVERY 1,000 MILES**  
(1600 Km.)  
GIVE THREE OR FOUR STROKES OF GREASE GUN FILLED WITH GREASE TO REF. D TO NIPPLES ON STEERING JOINTS.

**C**  
**EVERY 3,000 MILES**  
(5000 Km.)  
REMOVE DYNAMO LUBRICATOR. HALF FILL WITH GREASE TO REF. C. AND REPLACE.

**F**  
**EVERY 1,000 MILES**  
(1600 Km.)  
WITHDRAW DISTRIBUTOR ROTATING ARM AND ADD A FEW DROPS OF OIL TO REF. F TO OPENING AND ALSO TO ADVANCE MECHANISM THROUGH GAP ROUND CAM SPINDLE. SHEAR CAM AND MOVING CONTACT PIVOT WITH GREASE OR OIL.

**B**  
**EVERY 1,000 MILES**  
(1600 Km.)  
INSPECT OIL LEVEL IN GEARBOX BY DIPSTICK AND REPLENISH IF NECESSARY WITH RECOMMENDED HYPOID OIL TO REF. B.  
**AFTER FIRST 500 MILES (800 Km.) AND SUBSEQUENTLY EVERY 6,000 MILES (10000 Km.) DRAIN OFF OLD OIL AND REFILL WITH FRESH HYPOID OIL TO REF. B.**

**D**  
**EVERY 1,000 MILES**  
(1600 Km.)  
GIVE THREE OR FOUR STROKES OF GREASE TO REF. D TO PROPELLER SHAFT NIPPLES.

**E**  
**EVERY 6,000 MILES**  
(10000 Km.)  
GIVE THREE OR FOUR STROKES OF GREASE GUN FILLED WITH GREASE TO REF. E TO LUBRICATE EACH HANDBRAKE CABLE.

**D**  
**EVERY 1,000 MILES**  
(1600 Km.)  
GIVE THREE OR FOUR STROKES OF GREASE GUN FILLED WITH GREASE TO REF. D TO NIPPLES ON STEERING JOINTS.

**C**  
**EVERY 3,000 MILES**  
(5000 Km.)  
REMOVE DYNAMO LUBRICATOR. HALF FILL WITH GREASE TO REF. C. AND REPLACE.

**F**  
**EVERY 1,000 MILES**  
(1600 Km.)  
WITHDRAW DISTRIBUTOR ROTATING ARM AND ADD A FEW DROPS OF OIL TO REF. F TO OPENING AND ALSO TO ADVANCE MECHANISM THROUGH GAP ROUND CAM SPINDLE. SHEAR CAM AND MOVING CONTACT PIVOT WITH GREASE OR OIL.

**B**  
**EVERY 1,000 MILES**  
(1600 Km.)  
INSPECT OIL LEVEL IN GEARBOX BY DIPSTICK AND REPLENISH IF NECESSARY WITH RECOMMENDED HYPOID OIL TO REF. B.  
**AFTER FIRST 500 MILES (800 Km.) AND SUBSEQUENTLY EVERY 6,000 MILES (10000 Km.) DRAIN OFF OLD OIL AND REFILL WITH FRESH HYPOID OIL TO REF. B.**

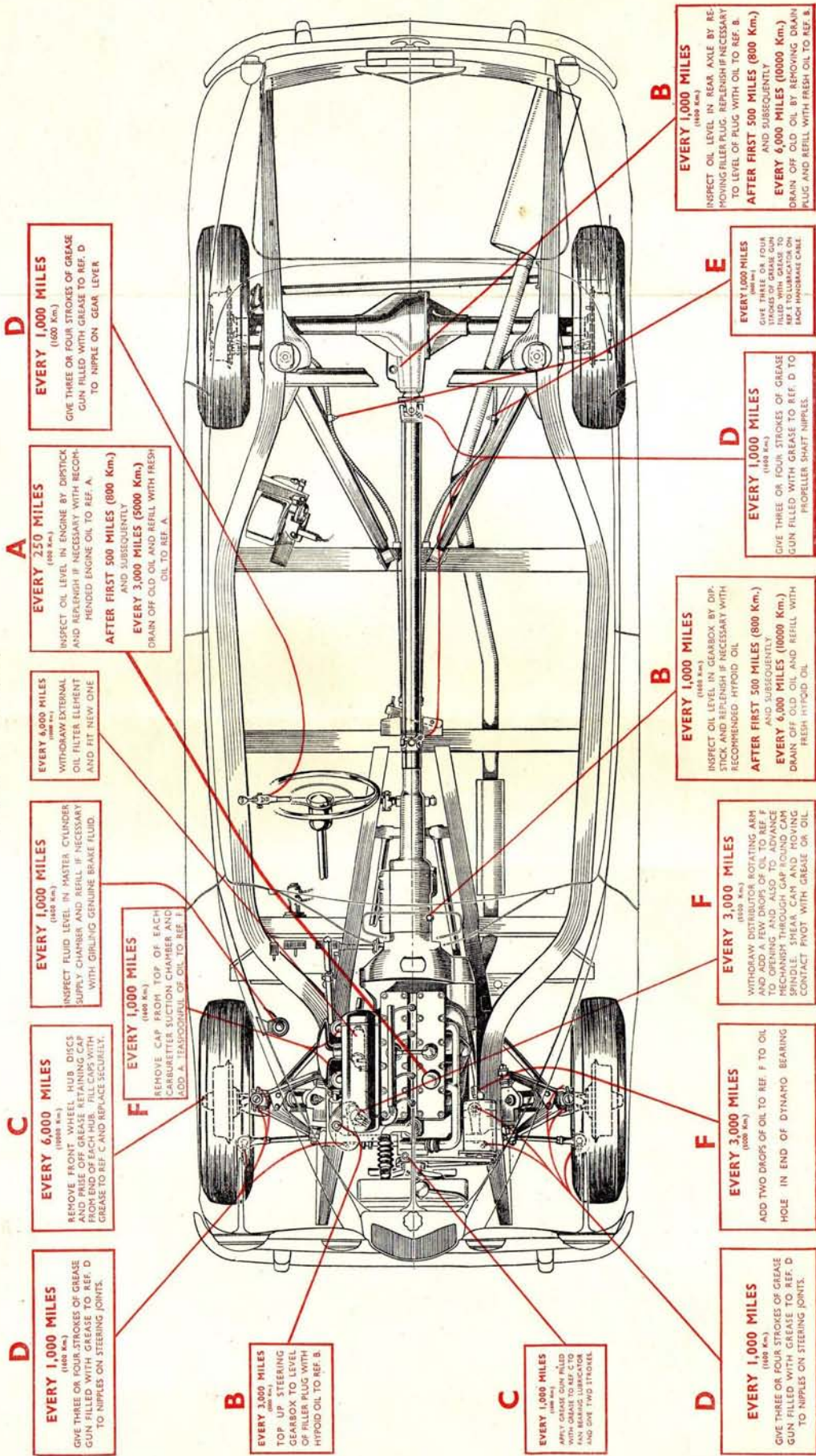
**D**  
**EVERY 1,000 MILES**  
(1600 Km.)  
GIVE THREE OR FOUR STROKES OF GREASE TO REF. D TO PROPELLER SHAFT NIPPLES.

**E**  
**EVERY 6,000 MILES**  
(10000 Km.)  
GIVE THREE OR FOUR STROKES OF GREASE GUN FILLED WITH GREASE TO REF. E TO LUBRICATE EACH HANDBRAKE CABLE.

**EVERY 1,000 MILES (1600 Km.). USE OILCAN FILLED WITH OIL TO REF. F ON ALL CONTROL JOINTS, DOOR LOCKS, HINGES, ETC.**  
**NOTE:—In extreme conditions of cold consistently below 32°F. (0°C.) use the lighter grades of oil recommended.**

# THE RILEY PATHFINDER LUBRICATION CHART

(Up to Car No. 3675)



EVERY 3,000 MILES (5000 Km.). USE OILCAN FILLED WITH OIL TO REF. F ON ALL CONTROL JOINTS, DOOR LOCKS, HINGES, ETC.  
NOTE:—In extreme conditions of cold consistently below 32° F. (0° C.) use the lighter grades of oil recommended.

Pathfinder. Issue 4 (H & E) 98992—1/56  
Published Officially by Riley Motors Ltd.

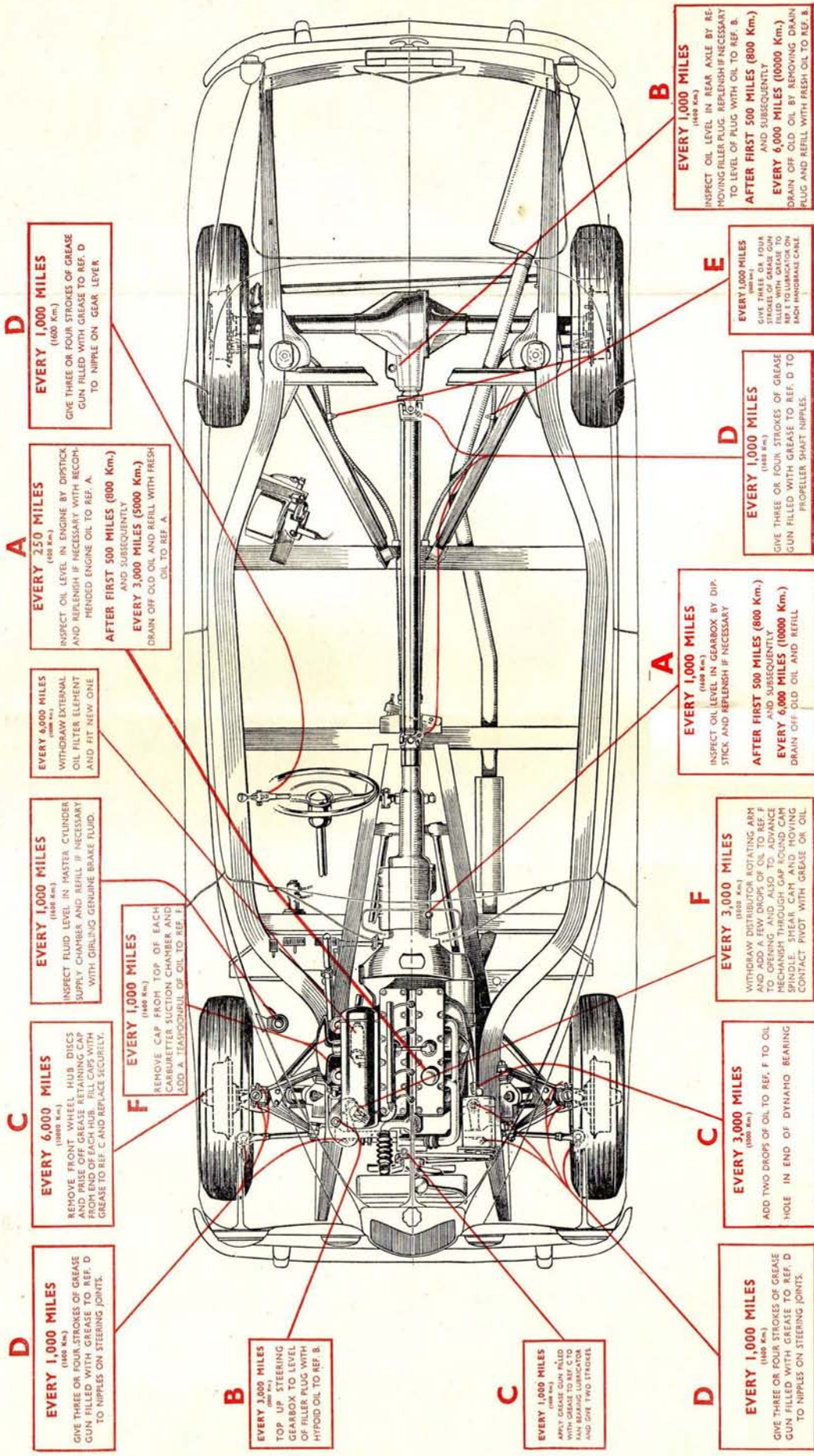
## MULTIGRADE MOTOR OILS

In addition to the recommended lubricants listed in the Manual, we approve the use of these new motor oils, as produced by the oil companies shown in our Manuals, for all climatic temperatures unless the engine is old and in poor mechanical condition. Some are more expensive than the recommended motor oils because of their special properties and greater fluidity at low temperatures. We also draw your attention to the simpler grease requirements for your vehicle by the use of the multipurpose lithium greases.

Printed by The Nuffield Press Ltd.

# THE RILEY PATHFINDER LUBRICATION CHART

(Cars with the later type Gearbox, commencing Car No. 3676)



**D**  
**EVERY 1,000 MILES**  
(1600 Km.)  
GIVE THREE OR FOUR STROKES OF GREASE GUN FILLED WITH GREASE TO REF. D TO NIPPLES ON STEERING JOINTS.

**C**  
**EVERY 6,000 MILES**  
(10000 Km.)  
REMOVE FRONT WHEEL HUB DISCS AND PRIZE OFF GREASE RETAINING CAP FROM END OF EACH HUB. FILL CAPS WITH GREASE TO REF. C AND REPLACE SECURELY.

**C**  
**EVERY 1,000 MILES**  
(1600 Km.)  
INSPECT FLUID LEVEL IN MASTER CYLINDER SUPPLY CHAMBER AND REFILL IF NECESSARY WITH GIRLING GENUINE BRAKE FLUID.

**A**  
**EVERY 6,000 MILES**  
(10000 Km.)  
WITHDRAW EXTERNAL OIL FILTER ELEMENT AND FIT NEW ONE

**A**  
**EVERY 250 MILES**  
(400 Km.)  
INSPECT OIL LEVEL IN ENGINE BY DIPSTICK AND REPLENISH IF NECESSARY WITH RECOMMENDED ENGINE OIL TO REF. A.  
**AND SUBSEQUENTLY**  
**EVERY 3,000 MILES (5000 Km.)**  
DRAIN OFF OLD OIL AND REFILL WITH FRESH OIL TO REF. A.

**D**  
**EVERY 1,000 MILES**  
(1600 Km.)  
GIVE THREE OR FOUR STROKES OF GREASE GUN FILLED WITH GREASE TO REF. D TO NIPPLE ON GEAR LEVER.

**F**  
**EVERY 1,000 MILES**  
(1600 Km.)  
REMOVE CAP FROM TOP OF EACH CARBURETTOR SUCTION CHAMBER AND ADD A TEASPOONFUL OF OIL TO REF. F.

**B**  
**EVERY 3,000 MILES**  
(5000 Km.)  
TOP UP STEERING GEARBOX TO LEVEL OF FILLER PLUG WITH HYPOID OIL TO REF. B.

**C**  
**EVERY 1,000 MILES**  
(1600 Km.)  
APPLY GREASE GUN FILLED WITH GREASE TO REF. C TO MAIN DRIVE SHAFT AND GIVE TWO STROKES

**D**  
**EVERY 1,000 MILES**  
(1600 Km.)  
GIVE THREE OR FOUR STROKES OF GREASE GUN FILLED WITH GREASE TO REF. D TO NIPPLES ON STEERING JOINTS.

**C**  
**EVERY 3,000 MILES**  
(5000 Km.)  
ADD TWO DROPS OF OIL TO REF. F TO OIL HOLE IN END OF DYNAMO BEARING

**F**  
**EVERY 3,000 MILES**  
(5000 Km.)  
WITHDRAW DISTRIBUTOR ROTATING ARM AND ADD A FEW DROPS OF OIL TO REF. F TO OPENING AND ALSO TO ADVANCE MECHANISM THROUGH GAP ROUND CAM SPINDLE. SHEAR CAM AND MOVING CONTACT POINT WITH GREASE OR OIL

**A**  
**EVERY 1,000 MILES**  
(1600 Km.)  
INSPECT OIL LEVEL IN GEARBOX BY DIPSTICK AND REPLENISH IF NECESSARY  
**AND SUBSEQUENTLY**  
**EVERY 500 MILES (800 Km.)**  
DRAIN OFF OLD OIL AND REFILL

**D**  
**EVERY 1,000 MILES**  
(1600 Km.)  
GIVE THREE OR FOUR STROKES OF GREASE GUN FILLED WITH GREASE TO REF. D TO PROPELLER SHAFT NIPPLES.

**E**  
**EVERY 1,000 MILES**  
(1600 Km.)  
GIVE THREE OR FOUR STROKES OF GREASE GUN FILLED WITH GREASE TO REF. E TO LUBRICATION POINT ON EACH INBOARD CABLE

**B**  
**EVERY 1,000 MILES**  
(1600 Km.)  
INSPECT OIL LEVEL IN REAR AXLE BY REMOVING FILLER PLUG. REPLENISH IF NECESSARY TO LEVEL OF PLUG WITH OIL TO REF. B.  
**AND SUBSEQUENTLY**  
**AFTER FIRST 500 MILES (800 Km.)**  
**EVERY 6,000 MILES (10000 Km.)**  
DRAIN OFF OLD OIL BY REMOVING DRAIN PLUG AND REFILL WITH FRESH OIL TO REF. B.

**EVERY 3,000 MILES (5000 Km.).** USE OILCAN FILLED WITH OIL TO REF. F ON ALL CONTROL JOINTS, DOOR LOCKS, HINGES, ETC.  
**NOTE:—**In extreme conditions of cold consistently below 32° F. (0° C.) use the lighter grades of oil recommended.

## MULTIGRADE MOTOR OILS

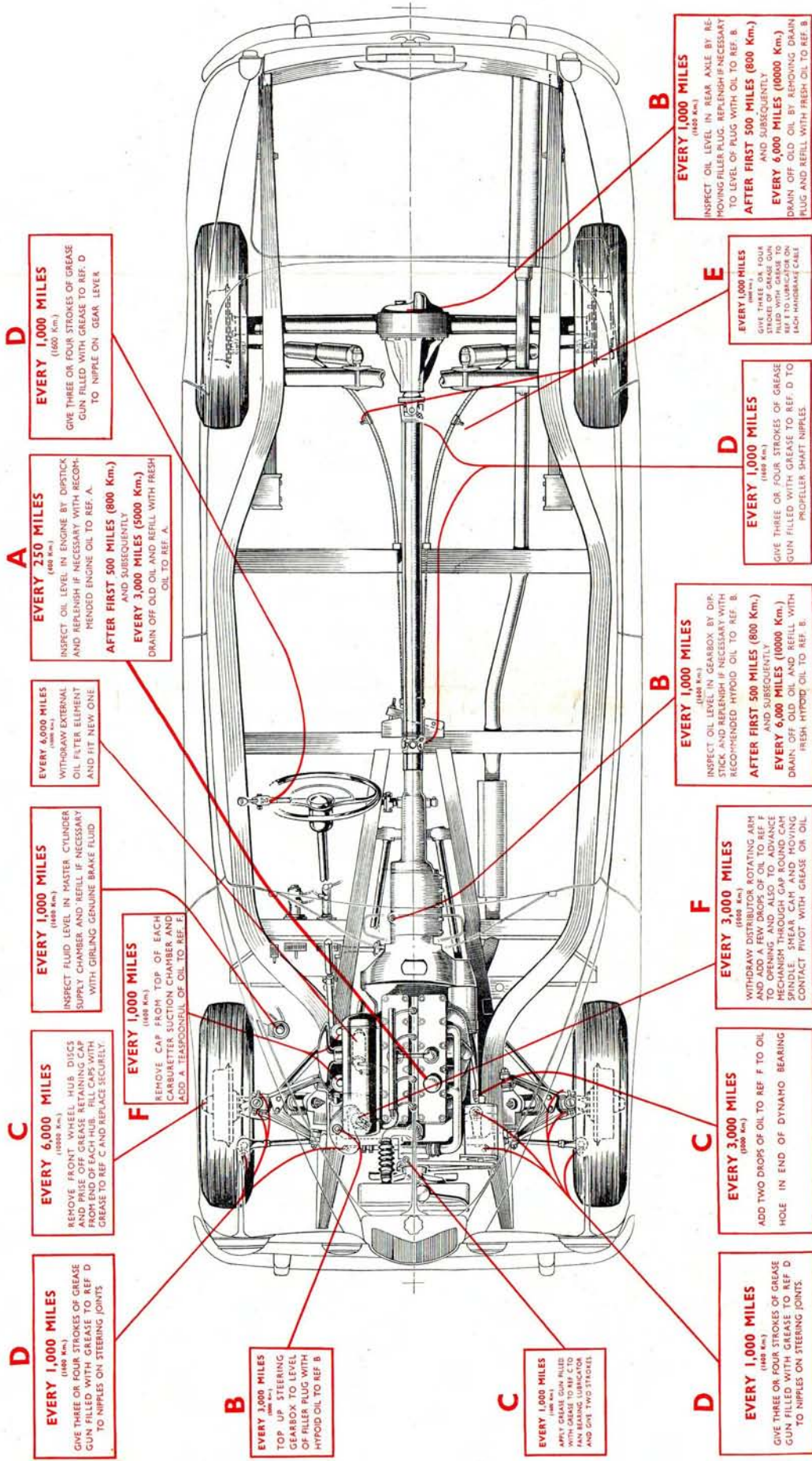
In addition to the recommended lubricants listed in the Manual, we approve the use of these new motor oils, as produced by the oil companies shown in our Manuals, for all climatic temperatures unless the engine is old and in poor mechanical condition. Some are more expensive than the recommended motor oils because of their special properties and greater fluidity at low temperatures. We also draw your attention to the simpler grease requirements for your vehicle by the use of the multipurpose lithium greases.

## OVERDRIVE

After the first 500 miles (800 Km.) and subsequently every 6,000 miles (10000 Km.) drain off the old oil and refill with fresh oil to Ref. A. (See Section P.12.)

# THE RILEY PATHFINDER LUBRICATION CHART

(Commencing Car No. 5554)



**D**  
**EVERY 1,000 MILES**  
(1600 Km.)  
GIVE THREE OR FOUR STROKES OF GREASE GUN FILLED WITH GREASE TO REF. D TO NIPPLES ON STEERING JOINTS.

**C**  
**EVERY 6,000 MILES**  
(10000 Km.)  
REMOVE FRONT WHEEL HUB DISCS AND PRIZE OFF GREASE RETAINING CAP FROM END OF EACH HUB. FILL CAPS WITH GREASE TO REF. C AND REPLACE SECURELY.

**EVERY 1,000 MILES**  
(1600 Km.)  
INSPECT FLUID LEVEL IN MASTER CYLINDER SUPPLY CHAMBER AND REFILL IF NECESSARY WITH GIRLING GENUINE BRAKE FLUID.

**EVERY 6,000 MILES**  
(10000 Km.)  
WITHDRAW EXTERNAL OIL FILTER ELEMENT AND FIT NEW ONE.

**A**  
**EVERY 250 MILES**  
(400 Km.)  
INSPECT OIL LEVEL IN ENGINE BY OPTICAL AND REPLENISH IF NECESSARY WITH RECOMMENDED ENGINE OIL TO REF. A.  
**AFTER FIRST 500 MILES (800 Km.) AND SUBSEQUENTLY**  
**EVERY 3,000 MILES (5000 Km.)**  
DRAIN OFF OLD OIL AND REFILL WITH FRESH OIL TO REF. A.

**D**  
**EVERY 1,000 MILES**  
(1600 Km.)  
GIVE THREE OR FOUR STROKES OF GREASE GUN FILLED WITH GREASE TO REF. D TO NIPPLE ON GEAR LEVER.

**F**  
**EVERY 1,000 MILES**  
(1600 Km.)  
REMOVE CAP FROM TOP OF EACH CARBURETTOR SUCTION CHAMBER AND ADD A TEASPOONFUL OF OIL TO REF. F.

**B**  
**EVERY 1,000 MILES**  
(1600 Km.)  
TOP UP STEERING GEARBOX TO LEVEL OF FILLER PLUG WITH HYPOID OIL TO REF. B.

**C**  
**EVERY 1,000 MILES**  
(1600 Km.)  
APPLY GREASE GUN FILLED WITH GREASE TO REF. C TO PAN BEARING LUBRICATOR AND GIVE TWO STROKES.

**D**  
**EVERY 1,000 MILES**  
(1600 Km.)  
GIVE THREE OR FOUR STROKES OF GREASE GUN FILLED WITH GREASE TO REF. D TO NIPPLES ON STEERING JOINTS.

**C**  
**EVERY 3,000 MILES**  
(5000 Km.)  
ADD TWO DROPS OF OIL TO REF. F TO OIL HOLE IN END OF DYNAMO BEARING.

**F**  
**EVERY 3,000 MILES**  
(5000 Km.)  
WITHDRAW DISK ROTATING ARM AND ADD A FEW DROPS OF OIL TO REF. F TO OPENING AND ALSO TO ADVANCE MECHANISM THROUGH GAP ROUND CAM SPINDLE. SWEAR CAM AND MOVING CONTACT PIVOT WITH GREASE OR OIL.

**B**  
**EVERY 1,000 MILES**  
(1600 Km.)  
INSPECT OIL LEVEL IN GEARBOX BY DIP STICK AND REPLENISH IF NECESSARY WITH RECOMMENDED HYPOID OIL TO REF. B.  
**AFTER FIRST 500 MILES (800 Km.) AND SUBSEQUENTLY**  
**EVERY 6,000 MILES (10000 Km.)**  
DRAIN OFF OLD OIL AND REFILL WITH FRESH HYPOID OIL TO REF. B.

**D**  
**EVERY 1,000 MILES**  
(1600 Km.)  
GIVE THREE OR FOUR STROKES OF GREASE GUN FILLED WITH GREASE TO REF. D TO PROPELLER SHAFT NIPPLES.

**E**  
**EVERY 1,000 MILES**  
(1600 Km.)  
GIVE THREE OR FOUR STROKES OF GREASE GUN FILLED WITH GREASE TO REF. E TO EACH HINDWHALE CABLE.

**B**  
**EVERY 1,000 MILES**  
(1600 Km.)  
INSPECT OIL LEVEL IN REAR AXLE BY REMOVING FILLER PLUG. REPLENISH IF NECESSARY TO LEVEL OF PLUG WITH OIL TO REF. B.  
**AFTER FIRST 500 MILES (800 Km.) AND SUBSEQUENTLY**  
**EVERY 6,000 MILES (10000 Km.)**  
DRAIN OFF OLD OIL BY REMOVING DRAIN PLUG AND REFILL WITH FRESH OIL TO REF. B.

**EVERY 3,000 MILES (5000 Km.).** USE OILCAN FILLED WITH OIL TO REF. F ON ALL CONTROL JOINTS, DOOR LOCKS, HINGES, ETC.  
**NOTE 1**—In extreme conditions of cold consistently below 32° F. (0° C.) use the lighter grades of oil recommended.

## MULTIGRADE MOTOR OILS

In addition to the recommended lubricants listed in the Manual, we approve the use of these new motor oils, as produced by the oil companies shown in our Manuals, for all climatic temperatures unless the engine is old and in poor mechanical condition. Some are more expensive than the recommended motor oils because of their special properties and greater fluidity at low temperatures.

We also draw your attention to the simpler grease requirements for your vehicle by the use of the multipurpose lithium greases.

## OVERDRIVE

After the first 500 miles (800 Km.) and subsequently every 6,000 miles (10000 Km.) drain off the old oil and refill with fresh oil to Ref. A. (See Section P.12.)

The following is a list of recommended lubricants (for cars up to Car No. 3675)

<b>A ENGINE AND AIR CLEANER</b>								
<i>Climatic Conditions</i>	<b>B.P. Energol</b>	<b>Shell</b>	<b>Filtrate</b>	<b>Sternol</b>	<b>Duckham's</b>	<b>Castrol</b>	<b>Esso</b>	<b>Mobil</b>
Tropical and temperate down to 32° F. (0° C.)	"Energol" S.A.E. 30	"Shell" X-100 30	Medium "Filtrate" 30	"Sternol" W.W. 30	Duckham's N.O.L. "Thirty"	"Castrol" X.L.	"Esso" Extra Motor Oil 20W/30	Mobiloil "A"
Cold and extreme cold down to 0° F. (-18° C.)	"Energol" S.A.E. 20W	"Shell" X-100 20/20W	Zero "Filtrate" 20	"Sternol" W.W. 20	Duckham's N.O.L. "Twenty"	"Castrolite"	"Esso" Extra Motor Oil 20W/30	Mobiloil "Arctic"
Arctic—below 0° F. (-18° C.)	"Energol" S.A.E. 10W	"Shell" X-100 10W	Sub-Zero "Filtrate" 10	"Sternol" W.W. 10	Duckham's N.O.L. "Ten"	"Castrol" Z	"Essolube" 10	Mobiloil 10W
<b>B GEARBOX (See also page P.5), STEERING GEARBOX AND REAR AXLE (HYPOID GEARS)</b>								
Tropical and Temperate down to 10° F. (-12° C.)	"Energol" E.P. S.A.E. 90	"Shell" Spirax 90 E.P.	Hypoid "Filtrate" Gear 90	Ambroleum E.P. 90	Duckham's Hypoid 90	"Castrol" Hypoy	"Esso" Expee Compound 90	Mobiloil "G.X." 90
Extreme cold below 10° F. (-12° C.)	"Energol" E.P. S.A.E. 80	"Shell" Spirax 80 E.P.	Hypoid "Filtrate" Gear 80	Ambroleum E.P. 80	Duckham's Hypoid 80	"Castrol" Hypoy 80	"Esso" Expee Compound 80	Mobiloil "G.X." 80
<b>C WHEEL HUBS AND FAN BEARINGS</b>								
All conditions	"Energrease" L.3	"Shell" Retinax A	"Filtrate" Super Lithium Grease	"Ambroline" L.H.T. Grease	Duckham's L.B. 10 Grease	"Castrolase" L.M.	"Esso" Multi-purpose Grease H	Mobilgrease M.P.
<b>D CHASSIS GREASING NIPPLES, ETC.</b>								
All conditions	"Energrease" L.3	"Shell" Retinax A	"Filtrate" Super Lithium Grease	"Ambroline" L.H.T. Grease	Duckham's L.B. 10 Grease	"Castrolase" L.M.	"Esso" Multi-purpose Grease H	Mobilgrease M.P.
<b>E CABLES AND CONTROL JOINTS</b>								
All conditions	"Energrease" L.3	"Shell" Retinax A	"Filtrate" Super Lithium Grease	"Ambroline" L.H.T. Grease	Duckham's L.B. 10 Grease	"Castrolase" L.M.	"Esso" Multi-purpose Grease H	Mobilgrease M.P.
<b>F OILCAN AND CARBURETTER</b>								
All conditions	"Energol" S.A.E. 20W	"Shell" X-100 20/20W	Zero "Filtrate" 20	"Sternol" W.W. 20	Duckham's N.O.L. "Twenty"	"Castrolite"	"Esso" Extra Motor Oil 20W/30	Mobiloil "Arctic"

### EXTREME COLD CONDITIONS

Where a car is operated in temperatures which are consistently below 0° F. (-18° C.) the use of an oil of lower viscosity than that recommended for normal use is desirable, and under such conditions the use of engine oil of the grades indicated in the appropriate temperature range is recommended.

Similar considerations apply in the case of the gearbox, rear axle and steering gearbox.

### MIXTURE LUBRICANTS

It is a bad practice to mix lubricants, particularly the high-pressure types now in use for rear axles, as they differ considerably in their composition. It is therefore dangerous to replenish the axle with a different make of oil from that in use without first draining off the axle. It is also advisable to carry out a similar procedure in the case of other components.

# Key to Recommended Lubricants

For cars up to Car No. 3675

<b>A</b> ENGINE AND AIR CLEANER								
<i>Climatic Conditions</i>	<b>B.P. Energol</b>	<b>Shell</b>	<b>Filtrate</b>	<b>Sternol</b>	<b>Duckham's</b>	<b>Castrol</b>	<b>Esso</b>	<b>Mobiloil</b>
Tropical and temperate down to 32° F. (0° C.)	"Energol" S.A.E. 30	"Shell" X-100 30	Medium "Filtrate" 30	"Sternol" W.W. 30	Duckham's N.O.L. "Thirty"	"Castrol" X.L.	"Esso" Extra Motor Oil 20W/30	Mobiloil "A"
Cold and extreme cold down to 0° F. (-18° C.)	"Energol" S.A.E. 20W	"Shell" X-100 20/20W	Zero "Filtrate" 20	"Sternol" W.W. 20	Duckham's N.O.L. "Twenty"	"Castrolite"	"Esso" Extra Motor Oil 20W/30	Mobiloil "Arctic"
Arctic—below 0° F. (-18° C.)	"Energol" S.A.E. 10W	"Shell" X-100 10W	Sub-Zero "Filtrate" 10	"Sternol" W.W. 10	Duckham's N.O.L. "Ten"	"Castrol" Z	"Essolube" 10	Mobiloil 10 W
<b>B</b> GEARBOX (See also key for cars from Car No. 3676), STEERING GEARBOX AND REAR AXLE (HYPOID GEARS)								
Tropical and Temperate down to 10° F. (-12° C.)	"Energol" E.P. S.A.E. 90	"Shell" Spirax 90 E.P.	Hypoid "Filtrate" Gear 90	Ambroleum E.P. 90	Duckham's Hypoid 90	"Castrol" Hypoy	"Esso" Expee Compound 90	Mobiloil "G.X." 90
Extreme cold below 10° F. (-12° C.)	"Energol" E.P. S.A.E. 80	"Shell" Spirax 80 E.P.	Hypoid "Filtrate" Gear 80	Ambroleum E.P. 80	Duckham's Hypoid 80	"Castrol" Hypoy 80	"Esso" Expee Compound 80	Mobiloil "G.X." 80
<b>C</b> WHEEL HUBS AND FAN BEARINGS								
All conditions	"Energol" L.3	"Shell" Retinax A	"Filtrate" Super Lithium Grease	"Ambroline" L.H.T. Grease	Duckham's L.B. 10 Grease	"Castrol" L.M.	"Esso" Multi-purpose Grease H	Mobilgrease M.P.
<b>D</b> CHASSIS GREASING NIPPLES, ETC.								
All conditions	"Energol" L.3	"Shell" Retinax A	"Filtrate" Super Lithium Grease	"Ambroline" L.H.T. Grease	Duckham's L.B. 10 Grease	"Castrol" L.M.	"Esso" Multi-purpose Grease H	Mobilgrease M.P.
<b>E</b> CABLES AND CONTROL JOINTS								
All conditions	"Energol" L.3	"Shell" Retinax A	"Filtrate" Super Lithium Grease	"Ambroline" L.H.T. Grease	Duckham's L.B. 10 Grease	"Castrol" L.M.	"Esso" Multi-purpose Grease H	Mobilgrease M.P.
<b>F</b> OILCAN AND CARBURETTER								
All conditions	"Energol" S.A.E. 20W	"Shell" X-100 20/20W	Zero "Filtrate" 20	"Sternol" W.W. 20	Duckham's N.O.L. "Twenty"	"Castrolite"	"Esso" Extra Motor Oil 20W/30	Mobiloil "Arctic"

**EVERY 1,000 MILES (1600 Km.).** Use oilcan on all control joints, door locks, hinges.

**SPECIAL NOTE.** Only Hypoid oils should be used in the rear axle.

**The following is a list of recommended lubricants for cars with the later type gearbox  
(Commencing Car No. 3676)**

<b>A ENGINE AND AIR CLEANER</b>								
<i>Climatic Conditions</i>	<b>B.P. Energol</b>	<b>Shell</b>	<b>Filtrate</b>	<b>Sternol</b>	<b>Duckham's</b>	<b>Castrol</b>	<b>Esso</b>	<b>Mobil</b>
Tropical and temperate down to 32° F. (0° C.)	"Energol" S.A.E. 30	"Shell" X-100 30	Medium "Filtrate" 30	"Sternol" W.W. 30	Duckham's N.O.L. "Thirty"	"Castrol" X.L.	"Esso" Extra Motor Oil 20W/30	Mobiloil "A"
Cold and extreme cold down to 0° F. (-18° C.)	"Energol" S.A.E. 20W	"Shell" X-100 20/20W	Zero "Filtrate" 20	"Sternol" W.W. 20	Duckham's N.O.L. "Twenty"	"Castrolite"	"Esso" Extra Motor Oil 20W/30	Mobiloil "Arctic"
Arctic—below 0° F. (-18° C.)	"Energol" S.A.E. 10W	"Shell" X-100 10W	Sub-Zero "Filtrate" 10	"Sternol" W.W. 10	Duckham's N.O.L. "Ten"	"Castrol" Z	"Essolube" 10	Mobiloil 10 W
<b>GEARBOX FROM CAR No. 3676 AND OVERDRIVE. (For earlier cars see page P.2)</b>								
All temperatures	"Energol" S.A.E. 30	"Shell" X-100 30	Medium "Filtrate" 30	"Sternol" W.W. 30	Duckham's N.O.L. "Thirty"	"Castrol" X.L.	"Essolube" 30	Mobiloil "A"
<b>B STEERING GEARBOX AND REAR AXLE (HYPOID GEARS)</b>								
Tropical and Temperate down to 10° F. (-12° C.)	"Energol" E.P. S.A.E. 90	"Shell" Spirax 90 E.P.	Hypoid "Filtrate" Gear 90	Ambroline E.P. 90	Duckham's Hypoid 90	"Castrol" Hypoy	"Esso" Expee Compound 90	Mobiloil "G.X." 90
Extreme cold below 10° F. (-12° C.)	"Energol" E.P. S.A.E. 80	"Shell" Spirax 80 E.P.	Hypoid "Filtrate" Gear 80	Ambroline E.P. 80	Duckham's Hypoid 80	"Castrol" Hypoy 80	"Esso" Expee Compound 80	Mobiloil "G.X." 80
<b>C WHEEL HUBS AND FAN BEARINGS</b>								
All conditions	"Energol" L.3	"Shell" Retinax A	"Filtrate" Super Lithium Grease	"Ambroline" L.H.T. Grease	Duckham's L.B. 10 Grease	"Castrol" L.M.	"Esso" Multi-purpose Grease H	Mobilgrease M.P.
<b>D CHASSIS GREASING NIPPLES, ETC.</b>								
All conditions	"Energol" L.3	"Shell" Retinax A	"Filtrate" Super Lithium Grease	"Ambroline" L.H.T. Grease	Duckham's L.B. 10 Grease	"Castrol" L.M.	"Esso" Multi-purpose Grease H	Mobilgrease M.P.
<b>E CABLES AND CONTROL JOINTS</b>								
All conditions	"Energol" L.3	"Shell" Retinax A	"Filtrate" Super Lithium Grease	"Ambroline" L.H.T. Grease	Duckham's L.B. 10 Grease	"Castrol" L.M.	"Esso" Multi-purpose Grease H	Mobilgrease M.P.
<b>F OILCAN AND CARBURETTER</b>								
All conditions	"Energol" S.A.E. 20W	"Shell" X-100 20/20W	Zero "Filtrate" 20	"Sternol" W.W. 20	Duckham's N.O.L. "Twenty"	"Castrolite"	"Esso" Extra Motor Oil 20W/30	Mobiloil "Arctic"

#### EXTREME COLD CONDITIONS

Where a car is operated in temperatures which are consistently below 0° F. (-18° C.) the use of an oil of lower viscosity than that recommended for normal use is desirable, and under such conditions the use of engine oil of the grades indicated in the appropriate temperature range is recommended.

Similar considerations apply in the case of the gearbox, rear axle and steering gearbox.

#### MIXTURE LUBRICANTS

It is a bad practice to mix lubricants, particularly the high-pressure types now in use for rear axles, as they differ considerably in their composition. It is therefore dangerous to replenish the axle with a different make of oil from that in use without first draining off the axle. It is also advisable to carry out a similar procedure in the case of other components.